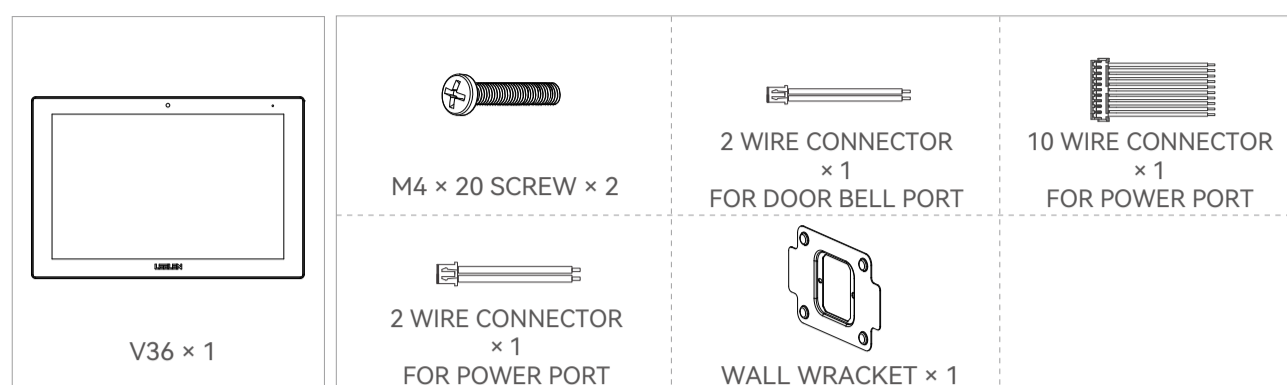
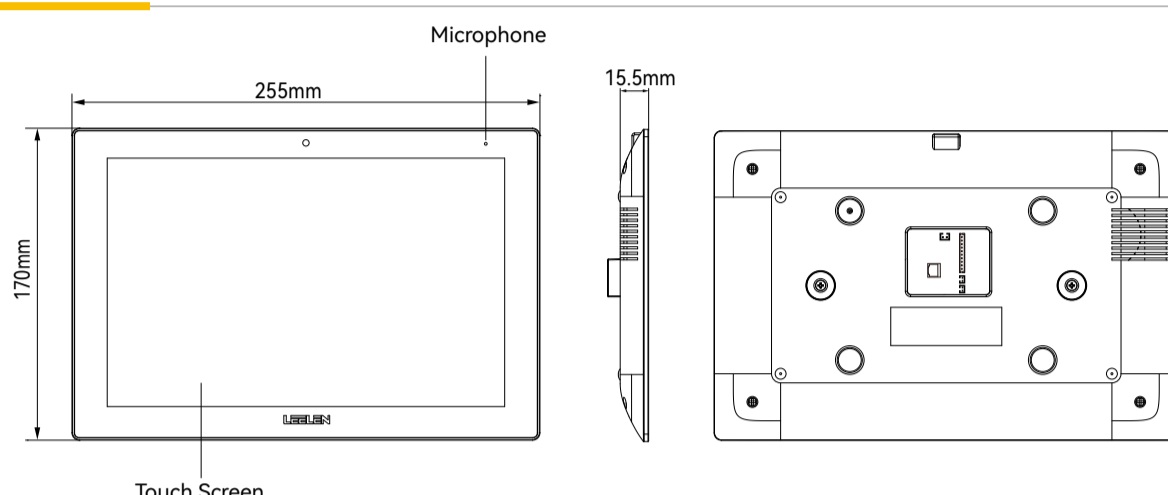


## Unpacking

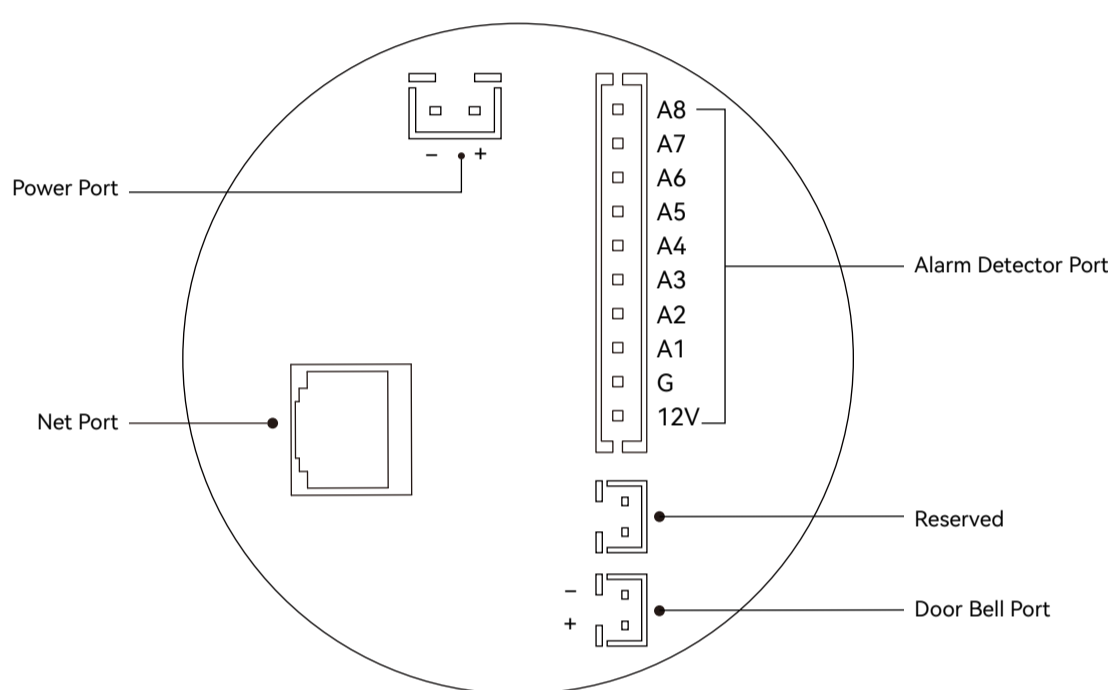
Please make sure the main package and the accessory package contain the following items :



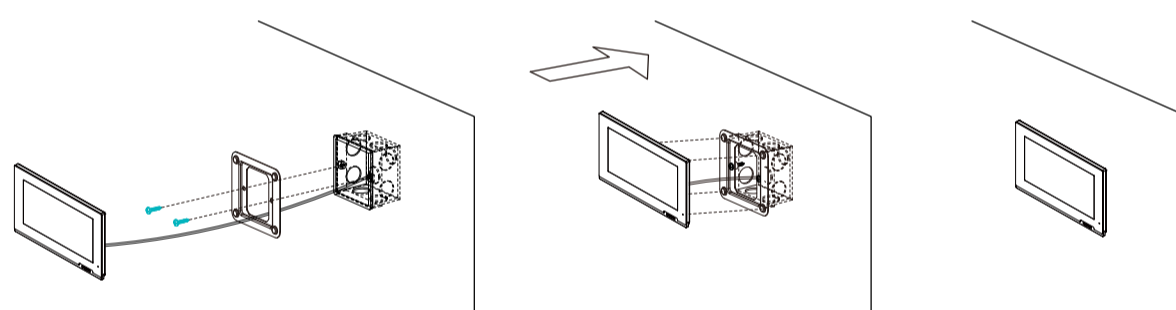
## Product overview



## Terminal and Wiring



## Installation



- Fix the wall mounting wacket on the junction box with screws.
- Fit the device onto the wall mounting wacket after wiring is completed.
- Device installation completed.

## Support Model Type

Model	Description
EH-IS-V36-EN1	Black, 10.1-inch Touch screen

## Configuration

- Press the Settings icon to enter the Settings function.
- Press the Engineer icon with password 999999 to enter the engineer setting function, and press Address item to set:
  - IP Address Set: Set the IP Address data.
  - Subnet Mask Set: Set the Subnet Mask data.
  - Router Set: Set the Gateway data.
  - Device NO. Set: Set the device number data.

Notice: The user also can enter the Web configuration of the device with <http://IP:8000/> to set the parameters. (The default username/password: admin/999999)

## Operation

### Make a call:

Input the room number, press dial key to make a call.

### Receive a call:

Press answer button on the ring interface to pick up the incoming call.

### Message:

Press message button on the connecting interface to leave a voice message when call other Indoor Station.

### Unlock by a call:

Press unlock button on the ring interface or the calling interface to open the door.

### Notice Information

Information contained in this document is believed to be accurate and reliable at the time of printing. The document is subject to change without notice, any update to this document can be viewed on Leelen's website.

<https://www.global-leelen.com/>  
Copyright © 2022 Xiamen Leelen Technology Co.,Ltd.  
All Rights Reserved.